

Mounting kit 2S-EBS(B)/150 - 2S-EBS(B)/750

AKIM gear technology – Swiss Made.

Mounting kits 2S-EBS(B)/150 – 2S-EBS(B)/750

Mounting kits are the first choice where high power, high torque and great ratio is needed. The hollow shaft allows a short mounting length. The ratios of 28 : 1 to 130 :1 achievable in single stage, are all integer and mathematic precise. Due to the operational principle, the input shaft turns in the opposite direction as the output shaft. Drive speed of up to 4000 min⁻¹ are permissible.

General informations.

- Low backlash: <1 min at the output shaft
- Achieve efficiency rates well over 90%, depending from ratio, load, speed
- Low moment of inertia
- Low weight by compact design
- Smooth operation
- High overload safety
- Good uniformity of movement
- Easy installation
- Lifetime lubricated
- No oil fittings
- Maintenance free

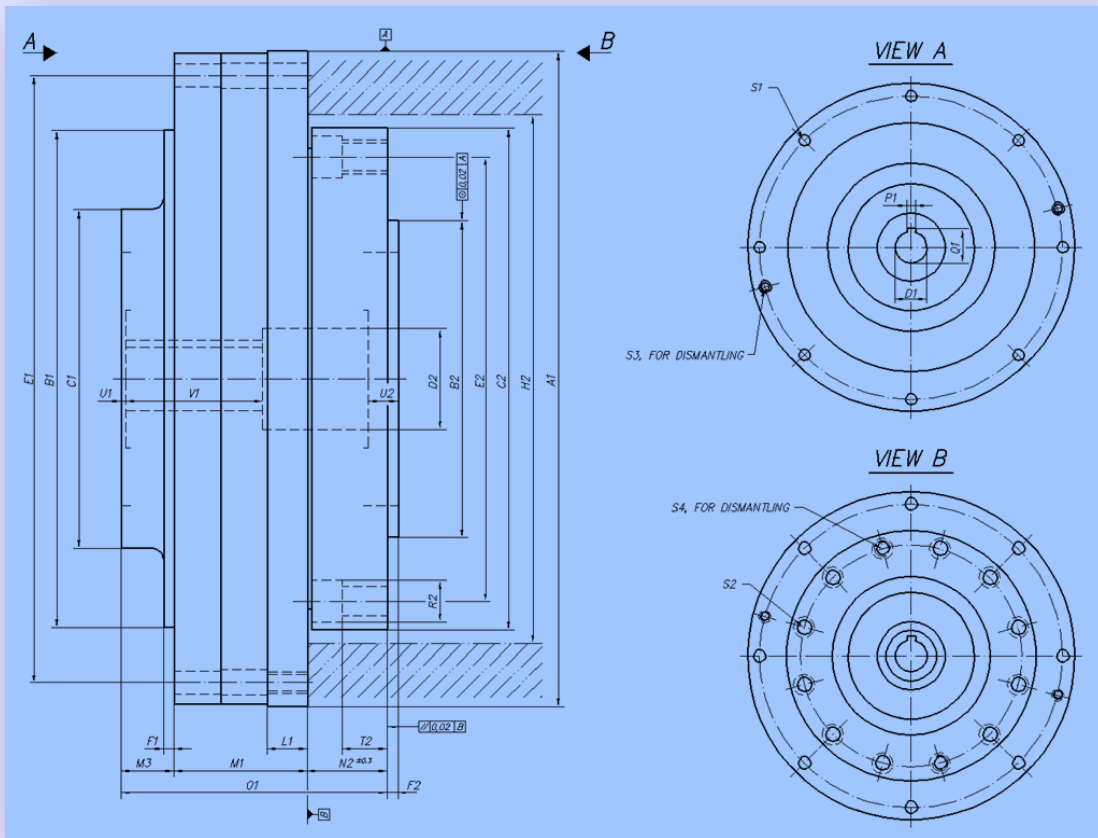
Technical data.

Type	150	250	350	450	650	750
Reduction ratio	41 52 69 83	34 41 51 64 86	33 38 44 53 66 83	28 34 42 48 57 67 86	29 34 40 45 51 59 69 83 104	29 34 39 47 52 59 67 79 95 119
Max. starting torque T _{2A} [Nm]	235	560	1400	2610	4890	7330
Mass moment of inertia J [kgcm ²]	0.27	1.15	3.85	13.8	31.8	71.7
Weight 2S-EBS [Kg]	3.2	5.5	10.5	18.5	31.5	47.5
Weight 2S-EBSB [Kg]	8.7	15.5	27	45.5	90.5	126.5

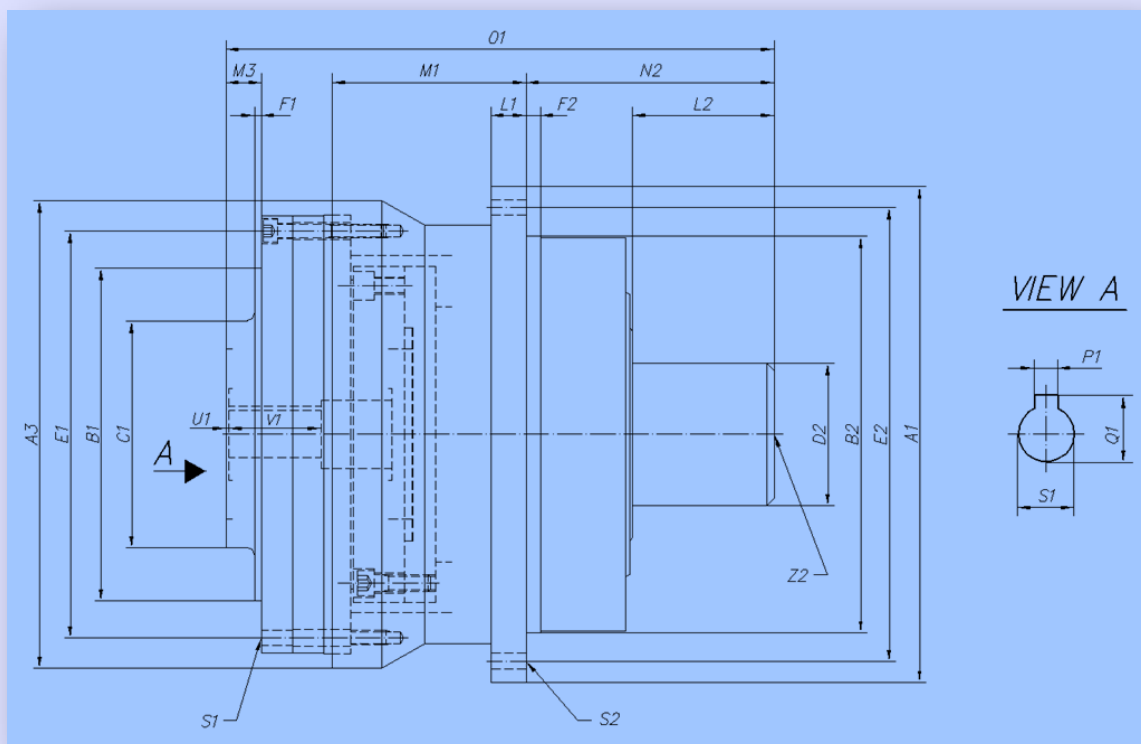
Output nominal torque T_{2n} [Nm] at drive speed n₁.

Drive speed n ₁ [min ⁻¹]	150	250	350	450	650	750
4000	* 100	* 235				
3500	* 105	* 244	* 610			
3000	* 110	* 256	* 640	* 1110		
2500	* 116	* 270	* 680	* 1175		
2250	120	* 279	* 700	* 1210	* 2435	
2000	124	289	* 725	* 1255	* 2525	* 3780
1750	129	301	755	* 1310	* 2625	* 3935
1500	135	315	790	1370	* 2750	* 4125
1250	143	332	835	1445	2905	* 4355
1000	152	356	890	1545	3105	4655
750	166	388	975	1685	3390	5075
≤ 600	177	415	1040	1800	3620	5430
* Max. 50% of permissible power on time						

Drawings 2S-EBS.



Drawings 2S-EBSB.



Dimensions 2S-EBS.

Type		150*	250	350	450	650	750
Values							
Input	A1		145-h7	180-h7	220-h7	270-h7	310-h7
	B1		110-h7	135-h7	170-h7	210-h7	235-h7
	C1		80	95	110	140	160
	D1		14-H7	19-H7	24-H7	28-H7	28-H7
	E1		130	162	202	249	287
	F1		4	4	5	5	5
	L1		11	13	16	18	19
	M1		33.5	40	49	56	63
	M3		14.5	17	16.5	23	25
	O1		69	81	92.5	112	126
	P1		5-H9	6-H9	8-H9	8-H9	8-H9
	Q1		16.3	21.8	27.3	31.3	31.3
	S1		8xØ6.6	8xØ9	12xØ9	12xØ11	12xØ11
	S3		2xM6	2xM8	2xM8	2xM10	2xM10
	U1		1	1	1	2	2
	V1		30	35	45	50	65
Output	B2		60-h7	80-h7	100-h7	130-h7	150-h7
	C2		112	137	172	212	237
	D2		19	25	35	38	48
	E2		97	119	150	187	210
	F2		4	4	5	5	5
	H2		114...115	139...144	174...182	214...226	239...262
	N2		21	24	27	33	38
	R2		12xØ11	12xØ14	12xØ17.5	12xØ20	12xØ20
	S2		12xØ6.6	12xØ9	12xØ11	12xØ14	12xØ14
	S4		2xM8	2xM10	2xM12	2xM16	2xM16
	T2		11	12	12	16	21
U2		7	8	11	12	14	

* On request.

Dimensions 2S-EBSB.

Type		150*	250	350	450	650	750
Values							
Input	A1		170	200	250	300	350
	A3		160	195	238	290	330
	B1		110-h7	135-h7	170-h7	210-h7	235-h7
	C1		80	95	110	140	160
	D1		14-H7	19-H7	24-H7	28-H7	28-H7
	E1		130	162	202	249	287
	F1		4	4	5	5	5
	L1		12	15	17	20	25
	M1		66	82	100	120	137
	M3		14.5	17	16.5	23	25
	O1		196	234	280	347	387
	P1		5-JS9	6-JS9	8-JS9	8-JS9	8-JS9
	Q1		16.3	21.8	27.3	31.3	31.3
	S1		4xØ6.6/M6	4xØ9/M8	6xØ9/M8	6xØ11/M10	6xØ11/M10
	U1		1	1	1	2	2
	V1		30	35	45	50	65
Abtrieb	B2		135-j6	160-j6	200-j6	240-j6	280-j6
	D2		45-k6	55-k6	70-k6	90-k6	100-k6
	E2		155	180	230	275	320
	F2		6	8	8	10	10
	L2		45	55	70	90	100
	N2		90	105	125	160	175
	S2		8xØ6.6	8xØ9	12xØ9	12xØ11	12xØ11
	Z2		M16x36	M20x42	M20x42	M24x50	M24x50

* On request.